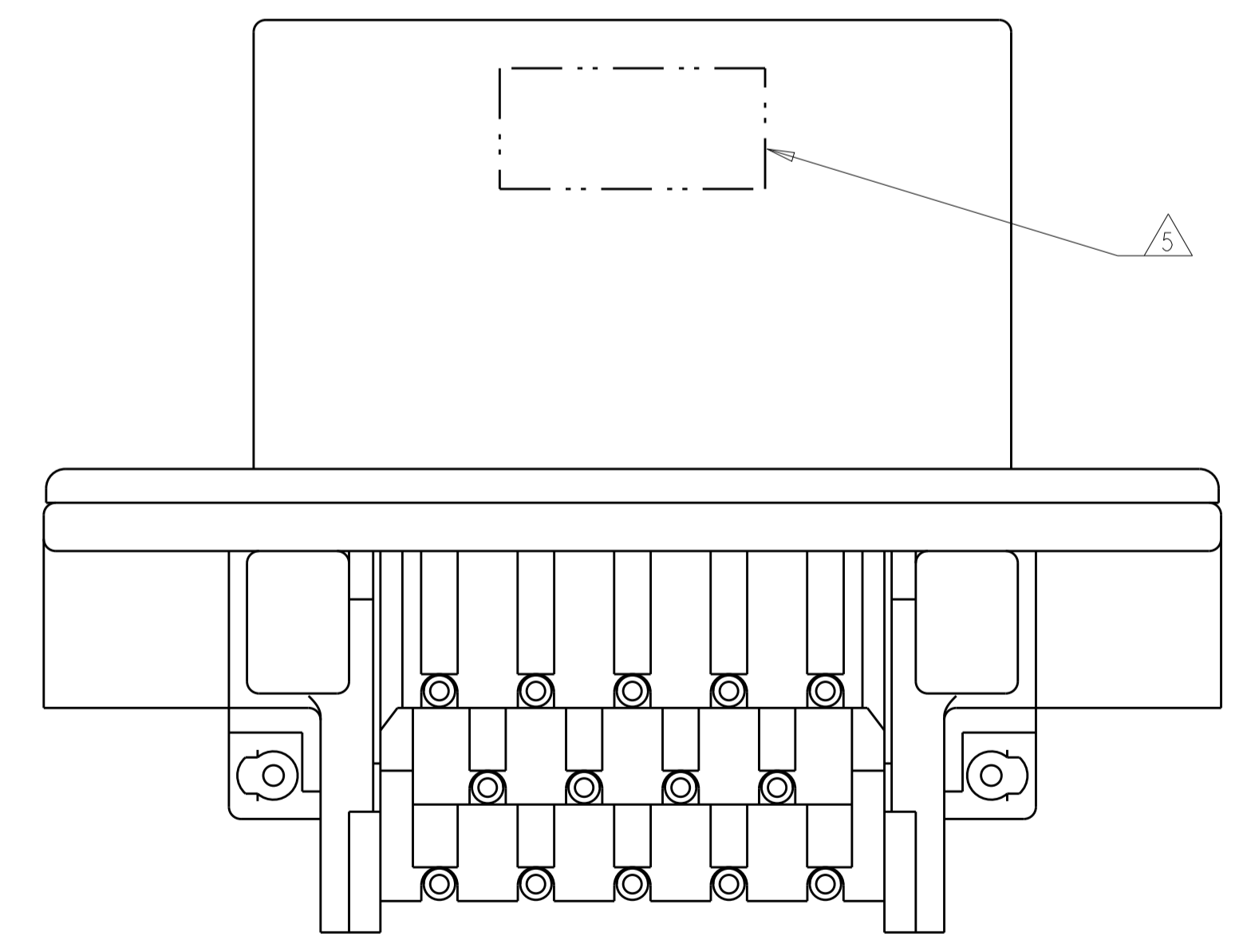
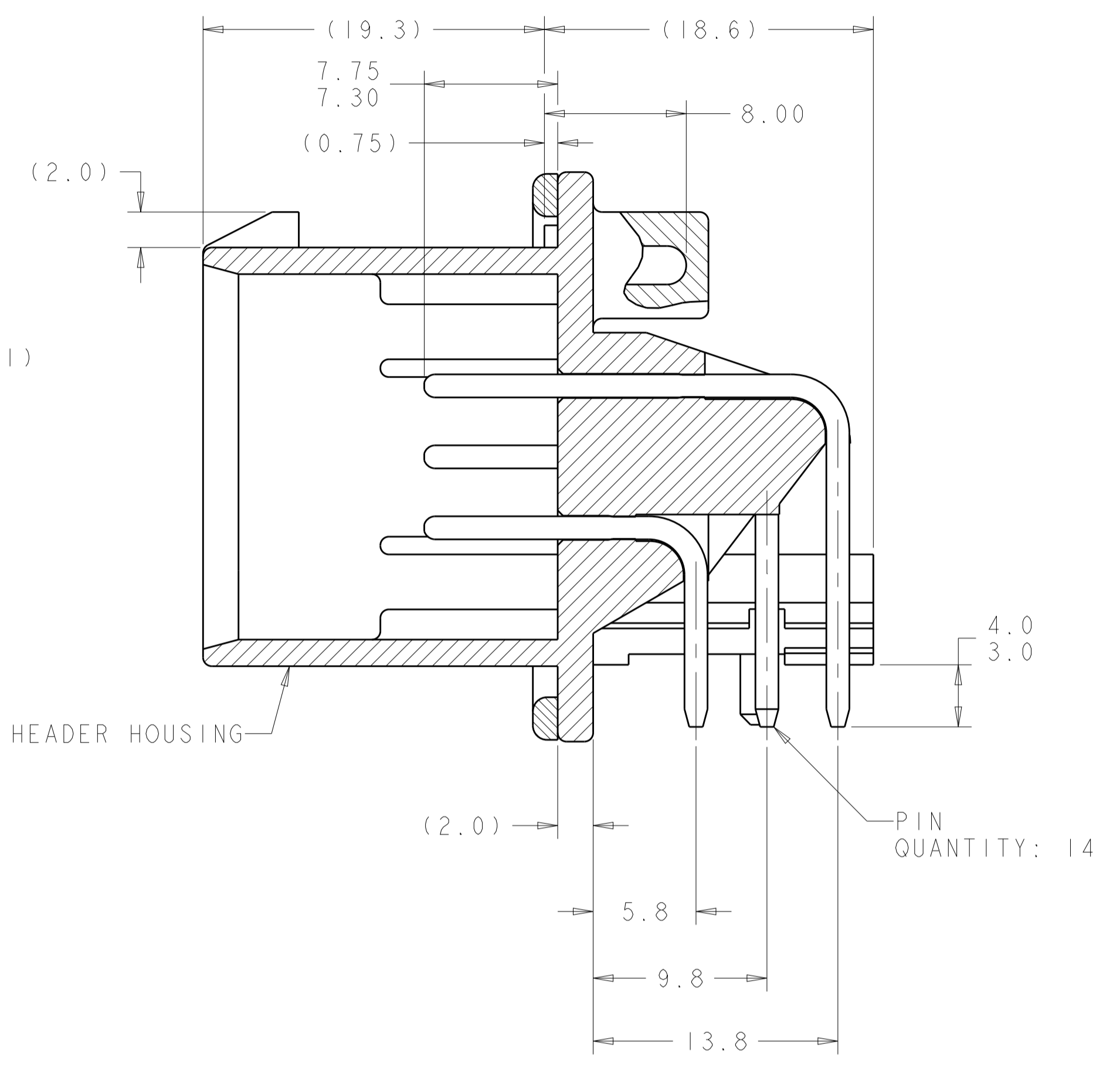
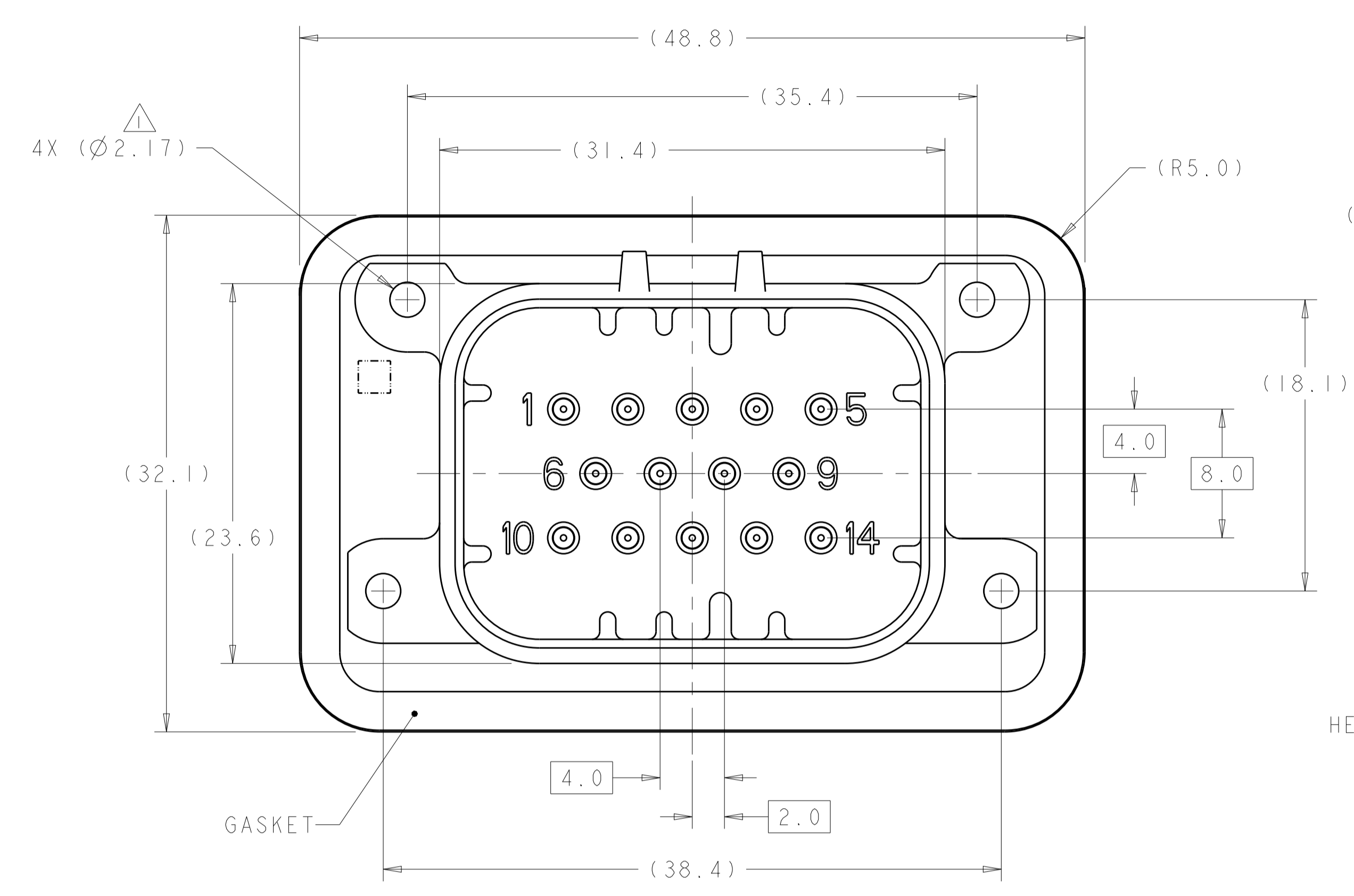


REVISIONS				
P.	LTN	DESCRIPTION	DATE	APP'D
B4		REVISED PER ECO-12-009257	29MAY2012	DD DS
B5		REVISED PER ECO-13-020287	16JAN2014	DD DS
B6		REVISED PER ECO-15-000098	06JAN2015	DD DS
B7		REVISED PER ECO-15-003872	25MAR2015	DD DS



- △ ACCEPTS #3 SELF TAPPING THREAD FORMING SCREWS OR METRIC EQUIVALENT. DRIVE TO 0.6-0.8 N-m.
- △ HOUSING COLORS ARE MECHANICALLY KEYS TO MATE ONLY WITH IDENTICALLY COLORED PLUG ASSEMBLIES.
- 3. HEADER MATES TO PLUG ASSEMBLY 776273 WHICH USES REELED TERMINAL 770520 OR LOOSE PIECE TERMINAL 770854
- △ MATERIAL: GASKET - SILICONE  
 HEADER HOUSING - GLASS FILLED PBT  
 PINS - TIN OR GOLD PLATED BRASS
- △ DATE CODE TO BE BRANDED ON THIS SURFACE PER TE SPEC 102-60. USE 5 DIGIT CODE: FIRST 2 DIGITS = YEAR, SECOND 2 DIGITS = WEEK, LAST DIGIT = DAY.

776267-1 & 1-776267-1 SHOWN

HEADER HOUSING COLOR	DESCRIPTION	PART NUMBER
BLUE	DURAGOLD PLATED	1-776267-5
GRAY	DURAGOLD PLATED	1-776267-4
NATURAL	DURAGOLD PLATED	1-776267-2
BLACK	DURAGOLD PLATED	1-776267-1
BLUE	TIN PLATED	776267-5
GRAY	TIN PLATED	776267-4
NATURAL	TIN PLATED	776267-2
BLACK	TIN PLATED	776267-1

THIS DRAWING IS A CONTROLLED DOCUMENT.

TE Connectivity

NAME: HEADER ASSEMBLY, 14 POSITION, RIGHT ANGLE, AMPSEAL

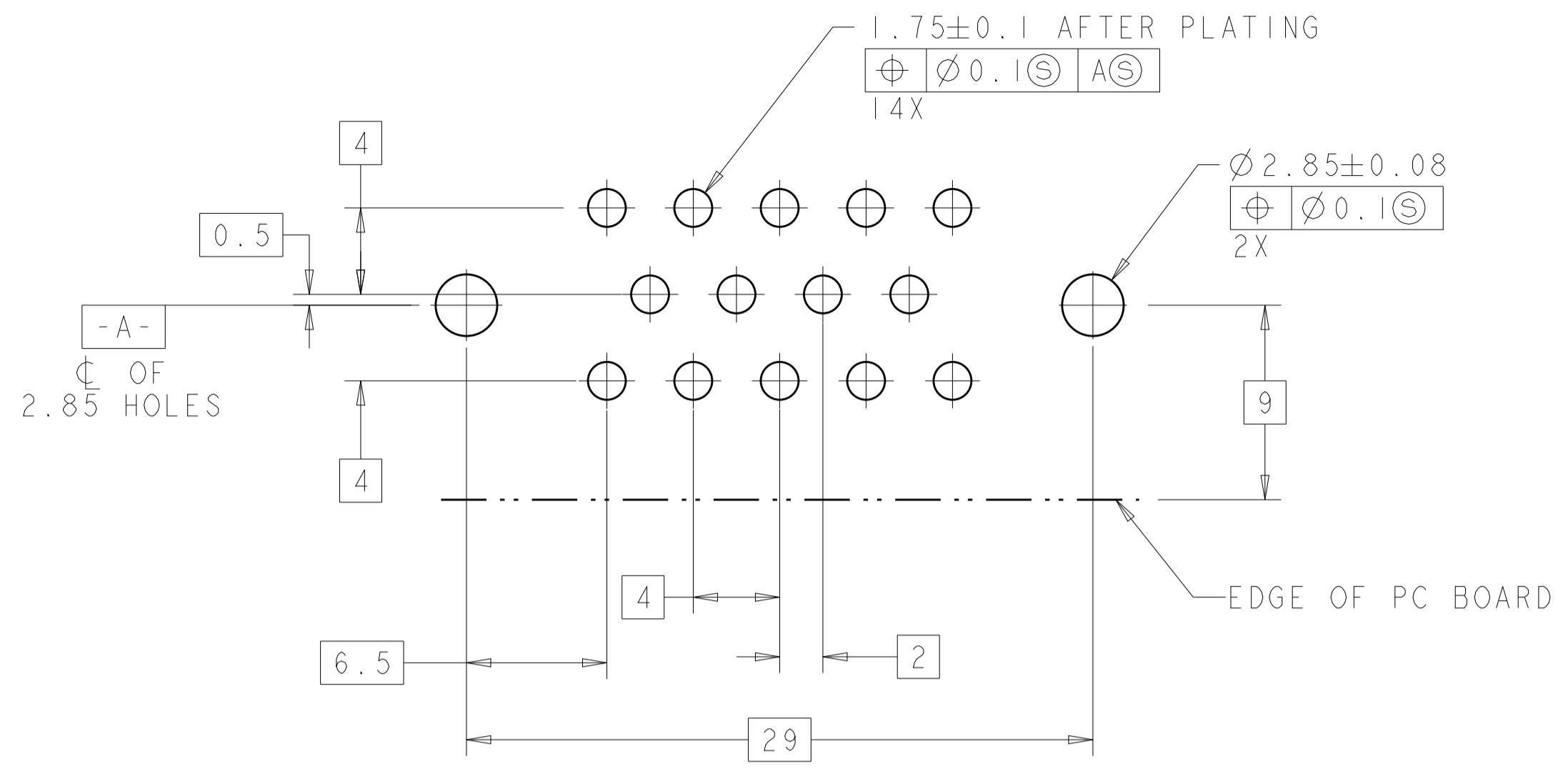
PRODUCT SPEC: 108-1329

APPLICATION SPEC: 114-16016

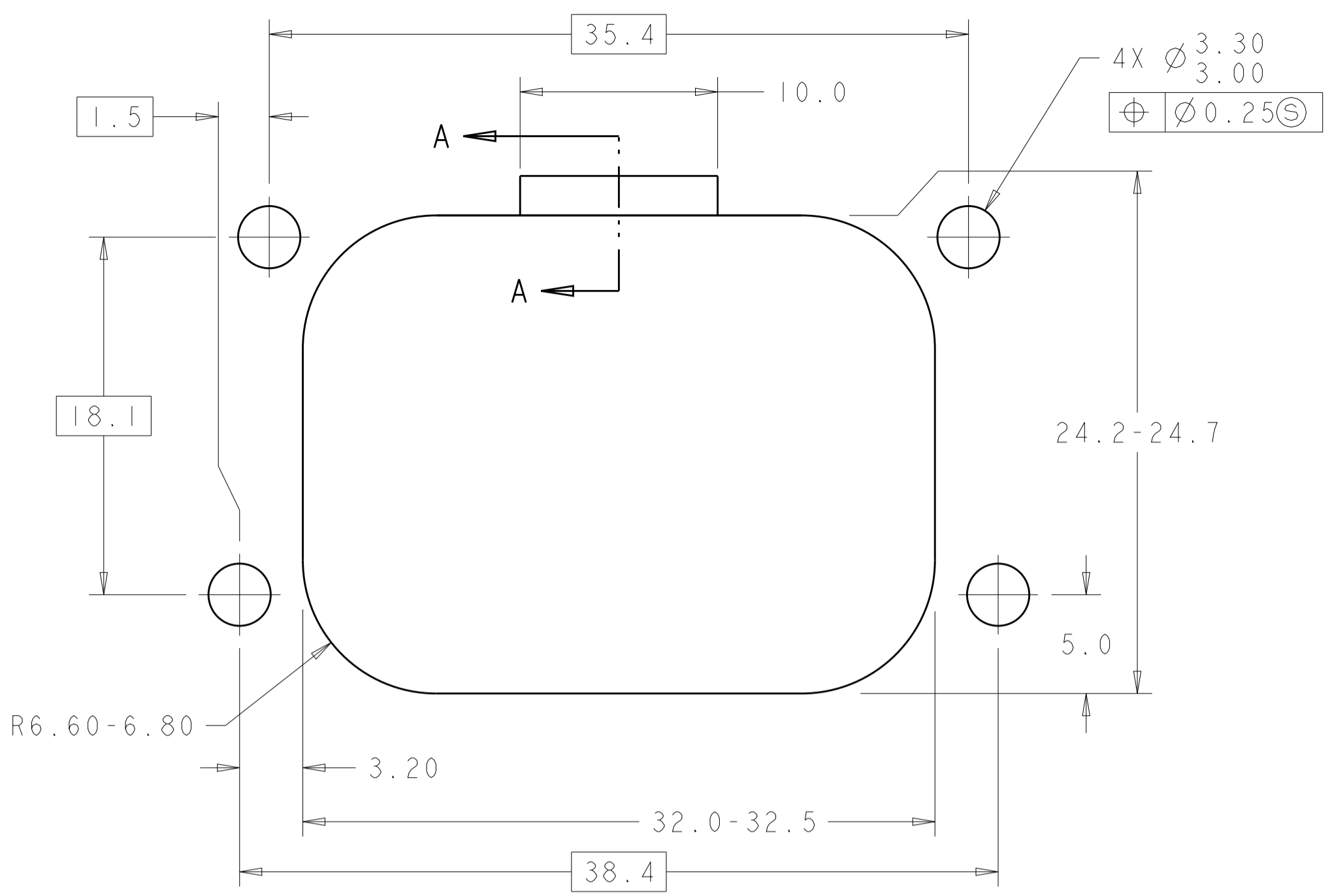
SIZE: A100779 C=776267

SCALE: 4:1 SHEET 1 OF 2 REV B7

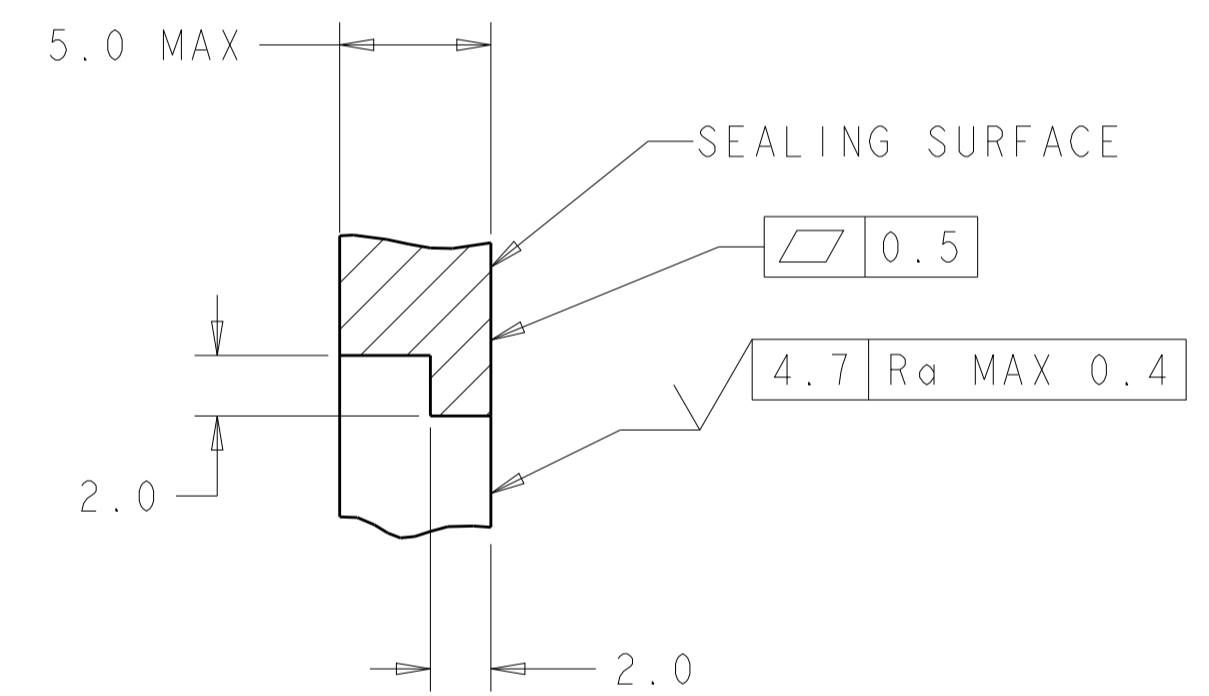
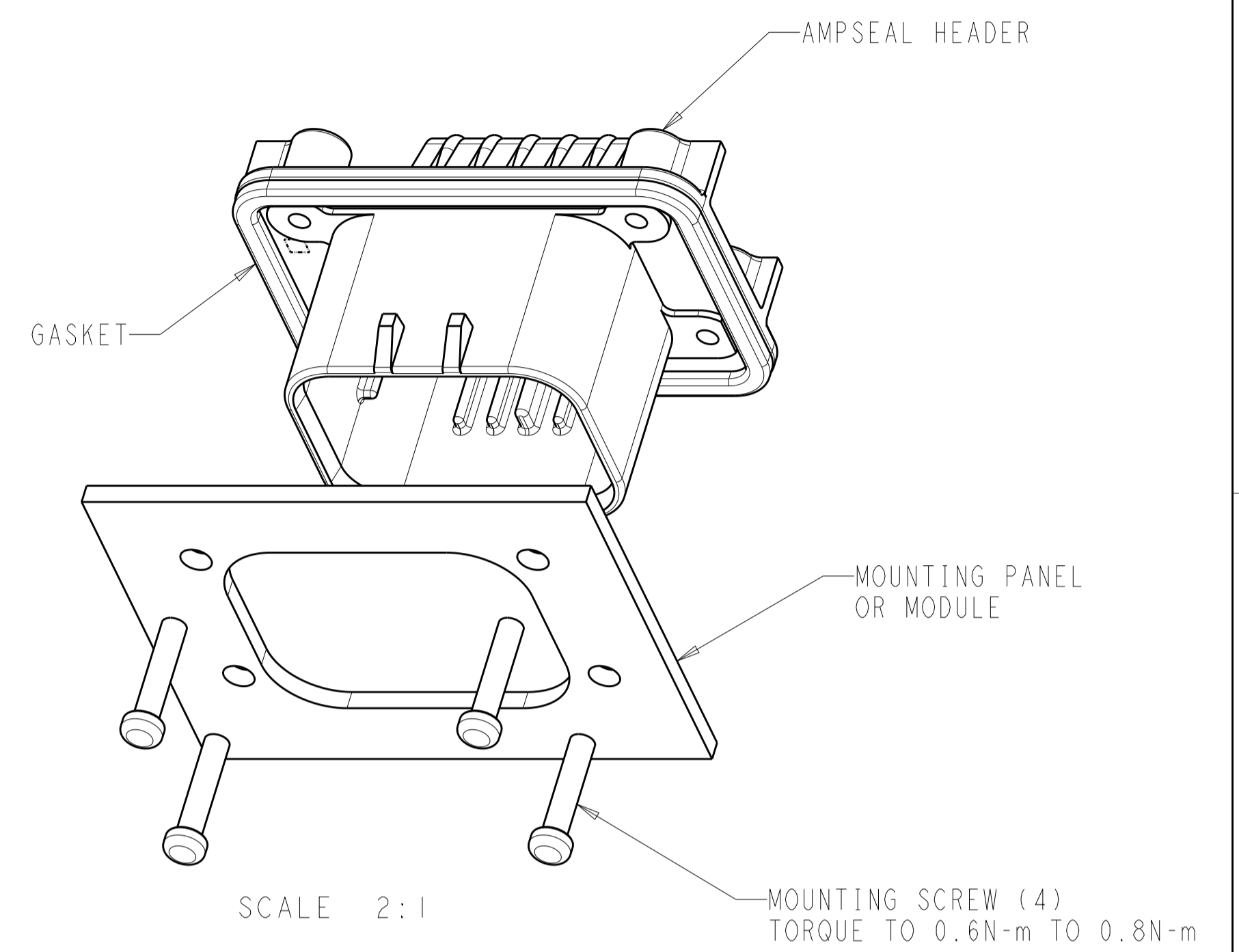
REVISIONS				
P.	LTH	DESCRIPTION	DATE	APP'D
-	-	SEE SHEET 1	-	-



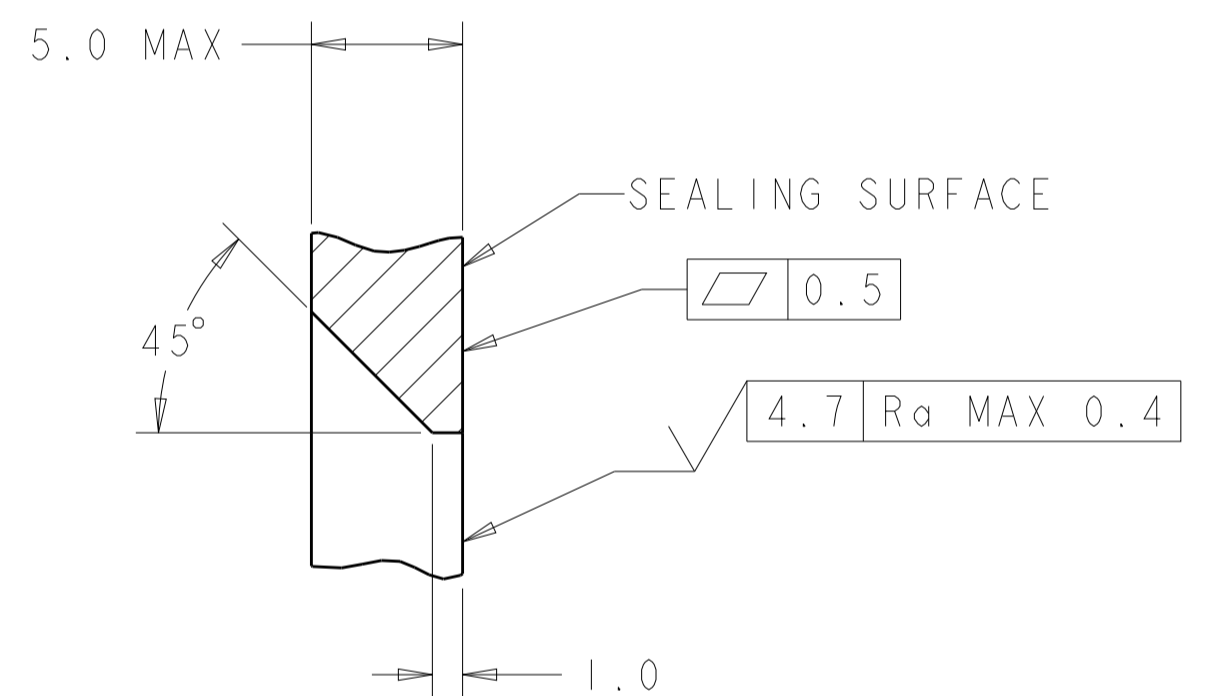
RECOMMENDED PC BOARD LAYOUT FOR 1.57 PC BOARD



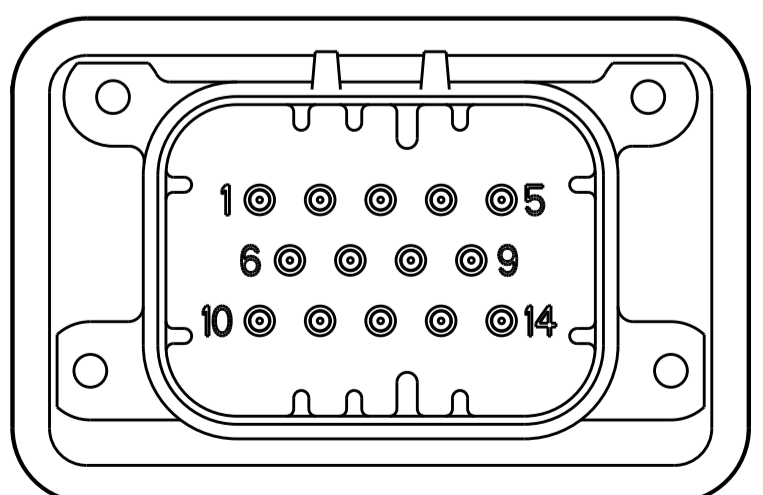
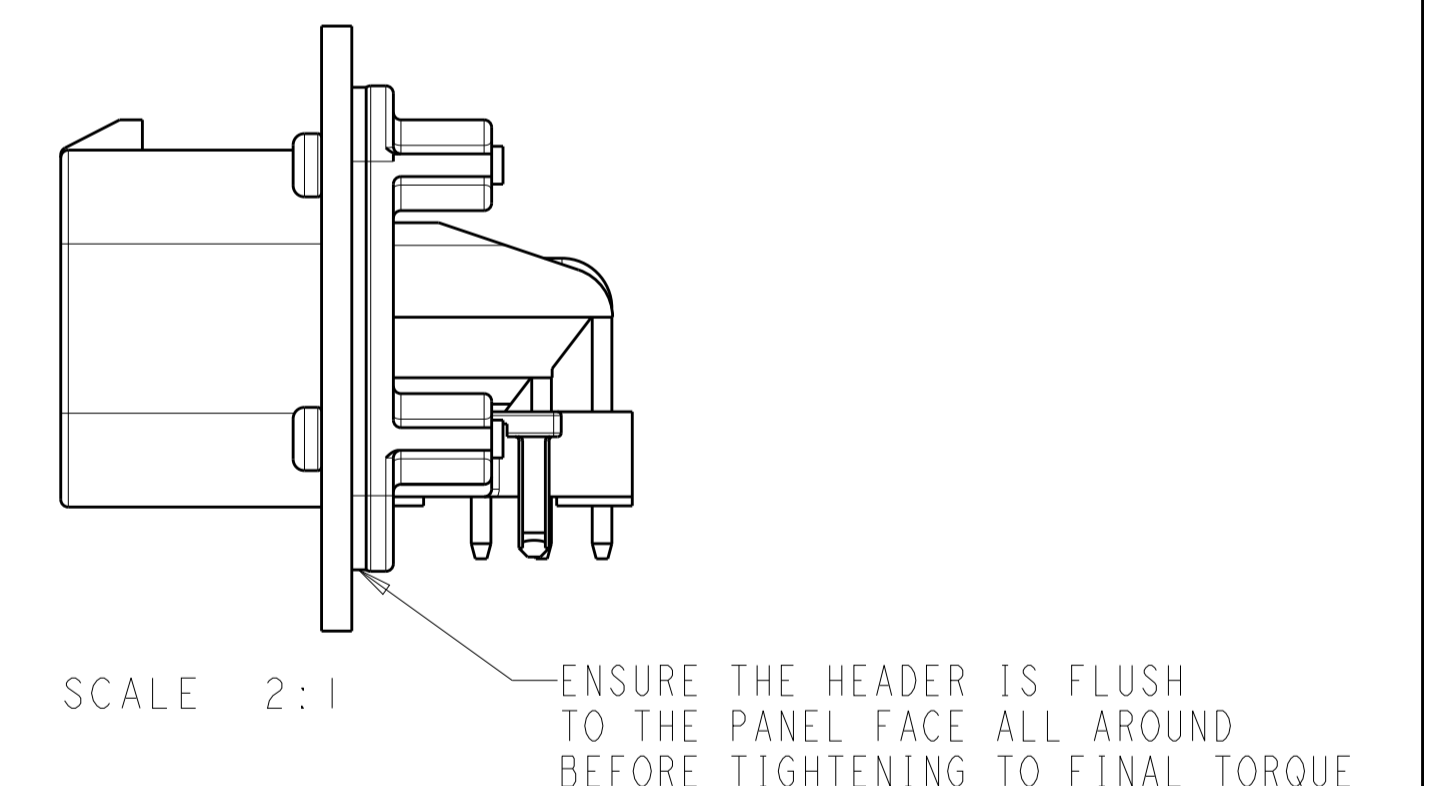
RECOMMENDED MOUNTING HOLE LAYOUT FOR 5.0 MAXIMUM THICK PANEL



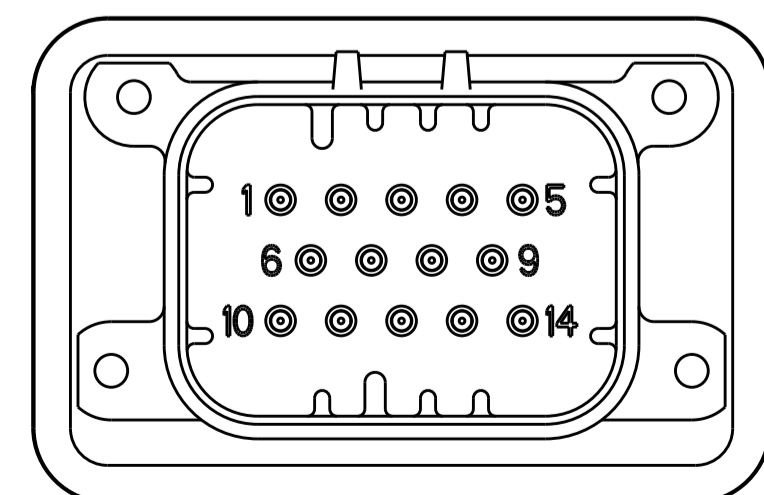
SECTION A-A  
OPTIONAL CONSTRUCTION IF THICKNESS IS GREATER THEN 2.0



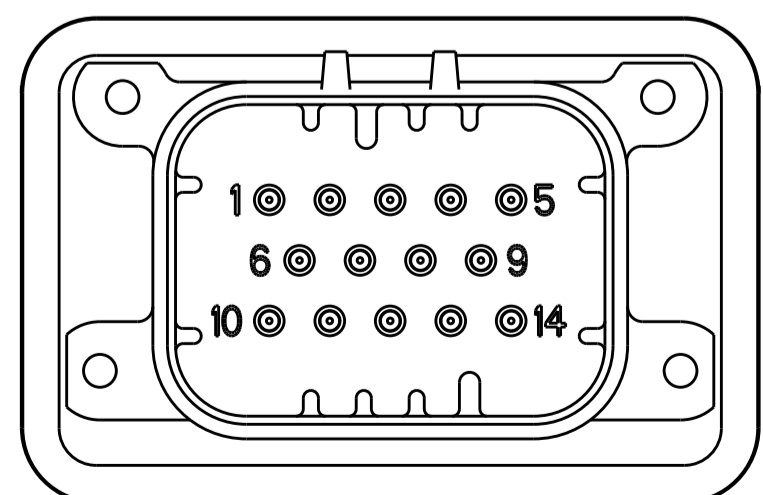
SECTION A-A  
OPTIONAL CONSTRUCTION IF THICKNESS IS GREATER THEN 2.0



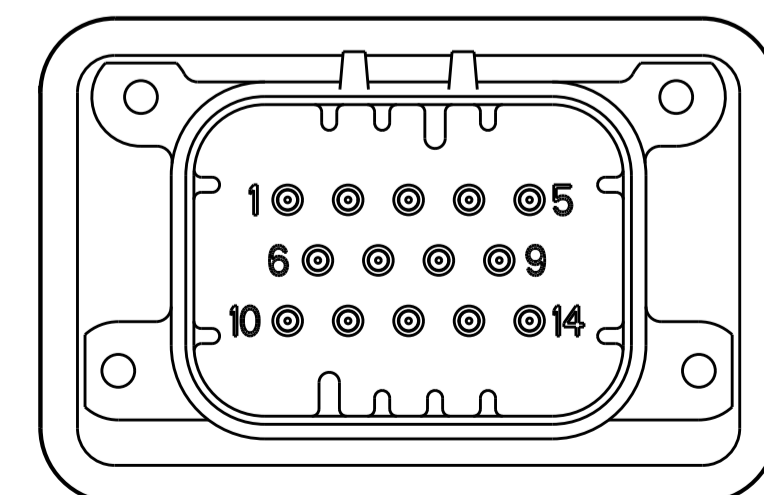
776267-1 & 1-776267-1  
KEY LOCATION  
SCALE 2:1



776267-2 & 1-776267-2  
KEY LOCATION  
SCALE 2:1



776267-4 & 1-776267-4  
KEY LOCATION  
SCALE 2:1



776267-5 & 1-776267-5  
KEY LOCATION  
SCALE 2:1

THIS DRAWING IS A CONTROLLED DOCUMENT.		DWN: D. DRUMMOND 18AUG2010 CHK: D. STRAUSSER 18AUG2010 APVD: D. STRAUSSER 18AUG2010	TE Connectivity	
DIMENSIONS: mm 		TOLERANCES UNLESS OTHERWISE SPECIFIED: 0 PLC ±0.2 2 PLC ±0.13 3 PLC ±0.13 4 PLC ±0.13 ANGLES ±0.5°	NAME: HEADER ASSEMBLY, 14 POSITION, RIGHT ANGLE, AMPSEAL PRODUCT SPEC: 108-1329 APPLICATION SPEC: 114-16016 WEIGHT: -	SIZE: CAGE CODE: DRAWING NO: A100779 CUSTOMER DRAWING: C=776267
MATERIAL: -		RESTRICTED TO: -		SCALE: 4:1 SHEET 2 OF 2 REV: B7